

LED ER40-1000e

Part #: EBR4017DM

Bulb Class: R40



Product Description

LED ER40-1000, directional flood R40, replaces conventional 100 Watt incandescent bulbs delivering more brightness (lumens) for less energy (Watts). With lower energy consumption levels you will be able to experience considerable energy savings throughout the years. ER40-1000 design reduces internal bulb heat providing greater durability and constant bulb performance. Enjoy features such as: instant on, dimming options, shatter resistance and mercury free.



Estimated Energy Cost: \$2.23 per year

*Note: Design, features and specifications subject to change without notice. Some features may not be available on all models. Please visit www.eurilighting.com or call 1-888-743-5766 for more information.

Specifications

Input Power	Input Voltage	Lumen Output	Beam Angle	Center Beam	CCT
18.5 W	120 V	1440 lm	115°	N/A	3000 K
CRI	Luminous Efficacy	Power Factor	Input Current	Base	Lamp Lifespan
80	80 lm/W	0.9	0.1 A	E26	25,000 Hrs.

Product Features



Dimmable



Instant-On/Off

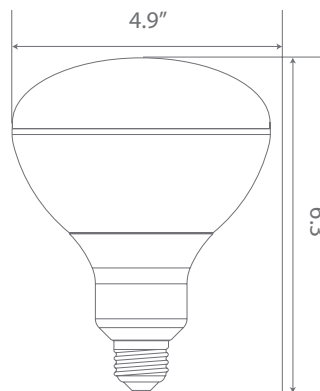


Mercury Free

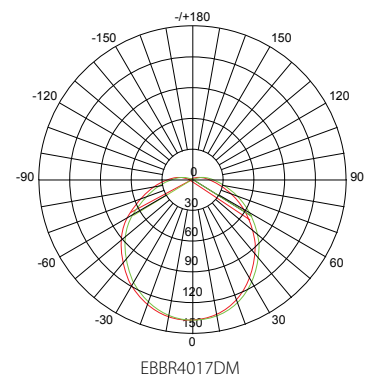


Damp Rated

Product Dimensions



Product Photometric Data



Euri Lighting | A Division of **IRTRONIX** Inc.