



# LED ET8-1141-13

Part #: ELT8/P/13W/1650/270D/40K/G13/T      Lamp Class: T8 (4 ft.)



Nano-plastic composites deliver splendid light distribution without compromising brightness or producing undesirable glare.

## Product Description

**LED ET8-1141-13** delivers superior brightness, valuable energy savings and long lasting performance. **EURI™** 4 ft. Direct Replacement T8 LED lamp is ideal for offices, conference rooms, hotels, academic complexes, research buildings, medical facilities and commercial stores. Built-in driver reduces maintenance expenses while **NANO** plastic composites deliver splendid light distribution without compromising brightness or generating undesirable glare. Available in 4000K **Bright White** and 5000K **Cool White**. Enjoy features such as: instant on, shatter resistance and mercury free.



**Estimated Energy Cost: \$1.56 per year**

## Direct Replacement

Simply plug and play!

\*Note: Design, features and specifications subject to change without notice. Some features may not be available on all models. Please visit [www.eurilighting.com](http://www.eurilighting.com) or call 1-888-743-5766 for more information.

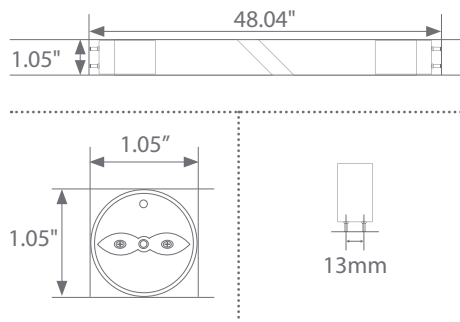
## Specifications

Input Power	Input Voltage	Lumen Output	Beam Angle	Center Beam	CCT
13 W	100-277 V	1650 lm	270°	N/A	4000 K
CRI	Luminous Efficacy	Power Factor	Input Current	Base/Cap	Lamp Lifespan
80	126 lm/W	0.9	0.1 A	G13	50,000 Hrs.

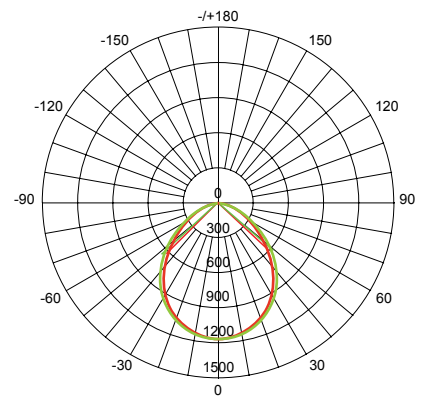
### Product Features

- Non-Dimmable
- Instant-On/Off
- Mercury Free
- Damp Rated

### Product Dimensions



### Product Photometric Data



**Euri Lighting** | A Division of **IRTRONIX** Inc.