



LED EOL-JL27FR-1050e



1-Lamp Jelly Jar Outdoor LED Wall Light W/Matte Black ABS Alloy Die Cast & Frosted Glass Lens

Product Description

Built to erase shadows and provide security, this Euri Lighting outdoor wall light offers a full beam spread in luminous Cool White (5000K). With matte black housing and a frosted glass lens, this LED wall light is guaranteed to withstand the weather and last years. Look for Euri Lighting EOL-JL26FR-1250e for this same jelly jar wall light, but with Dusk-to-Dawn technology.



(LED Bulb Replacement is included)



Estimated Energy Cost: \$1.08 per year

*Note: Design, features and specifications subject to change without notice. Some features may not be available on all models. For more information please visit: www.eurilighting.com or call 1-888-743-5766

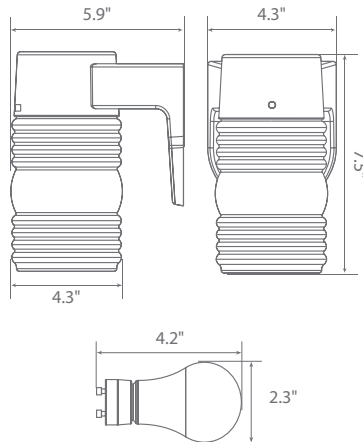
Specifications

Input Power	Input Voltage	Lumen Output	Beam Angle	Center Beam	CCT
9 W	120V/60Hz	800 lm	300°	N/A	5000 K
CRI	Luminous Efficacy	Power Factor	Input Current	Base/Cap	Lamp Lifespan
82	88 lm/w	0.9	0.07 A	GU24 / Wire	25,000 Hrs.

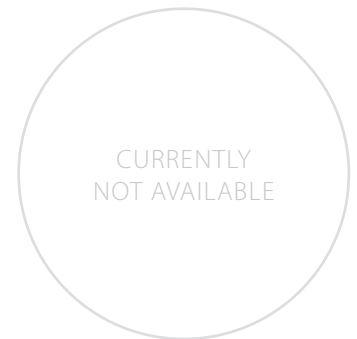
Product Features

- Non-Dimmable
- Instant-On/Off
- Mercury Free
- Wet Rated

Product Dimensions



Product Photometric Data



Euri Lighting | A Division of **IRTRONIX** Inc.

20900 Normandie Avenue Bldg. B Torrance, CA 90502 | Tel: 888.743.5766 | Fax: 310.787.1166 | www.eurilighting.com
 ©2018 Euri Lighting. All Rights Reserved