



# LED EIN-VL19FR-1030e



Integrated Indoor LED Vanity W/ Brushed Nickel Trims and Frosted Plastic Lens

## Product Description

This Euri Lighting LED bathroom light effortlessly accomplishes a sleek and modern style with a half cylinder shape, frosted lens and brushed nickel housing. Designed with thin twin bands on either side, this decorative vanity emits a bright glow in Soft White (3000K). Dimmable and Energy Star Certified, this LED fixture is fully-integrated and maintenance free.



**Estimated Energy Cost:** \$3.37 per year

\*Note: Design, features and specifications subject to change without notice. Some features may not be available on all models. For more information please visit: [www.eurilighting.com](http://www.eurilighting.com) or call 1-888-743-5766

Integrated LED Fixture

## Specifications

Input Power	Input Voltage	Lumen Output	Beam Angle	Center Beam	CCT
28 W	120V/60Hz	2100 lm	110°	N/A	3000 K
CRI	Luminous Efficacy	Power Factor	Input Current	Base/Cap	Lamp Lifespan
80	75 lm/W	0.7	0.25 A	N/A	35,000 Hrs.

### Product Features



Dimmable



Instant-On/Off

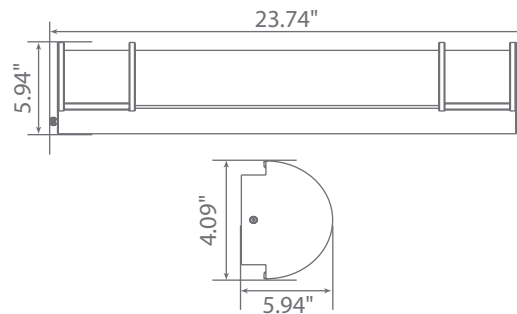


Mercury Free

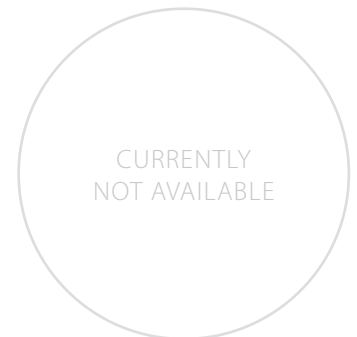


Damp Rated

### Product Dimensions



### Product Photometric Data



**Euri Lighting** | A Division of **IRTRONIX** Inc.

20900 Normandie Avenue Bldg. B Torrance, CA 90502 | Tel: 888.743.5766 | Fax: 310.787.1166 | [www.eurilighting.com](http://www.eurilighting.com)  
©2018 Euri Lighting. All Rights Reserved