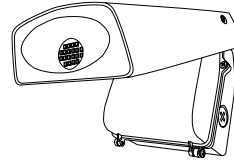


LED Wall Pack Wallmount



Questions?

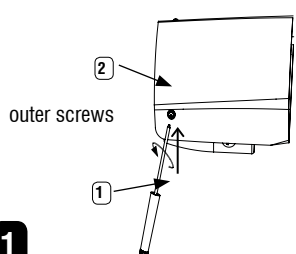
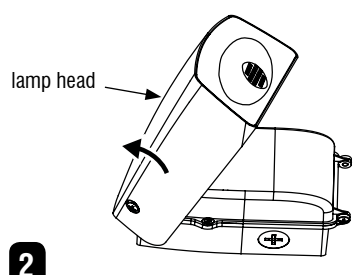
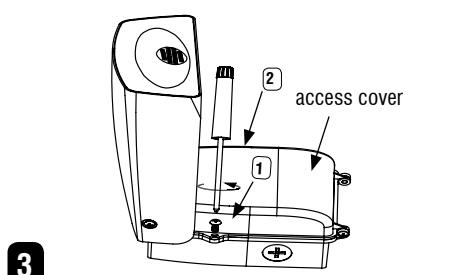
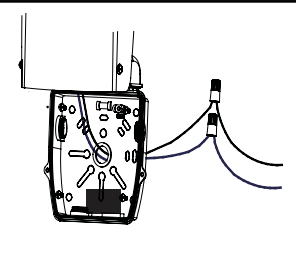
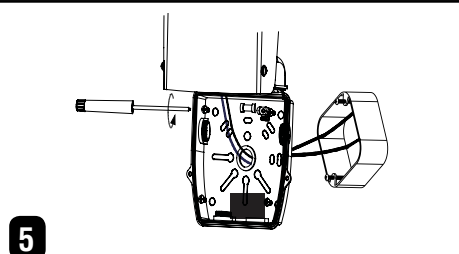
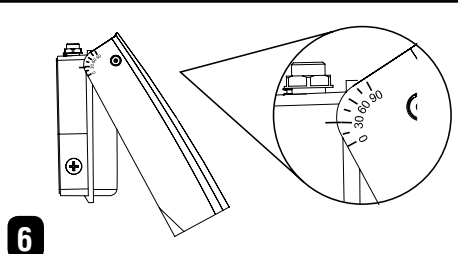
For customer service please call us at 1-888-743-5766
Office Hours: 8:00 a.m. – 5:00 p.m. PST Monday-Friday

PLEASE REVIEW THE INSTRUCTIONS AND WARNINGS LISTED BELOW PRIOR TO PROPER INSTALLATION

| WARNINGS | CAUTIONS |
|--|---|
| <ul style="list-style-type: none"> • Risk of electric shock – disconnect power at source before installation. • Properly ground electrical enclosure. • Risk of fire - follow all NEC and Local codes. • Use only UL or IEC approved wire for input/output connections. • Professional installation required. | <ul style="list-style-type: none"> • Do not look directly at the operating LED lamp. • Do not touch this product with wet hands. • Do not disassemble, repair or alter lamp. • Suitable for wet locations. • The luminaires should be grounded. • To prevent early lamp failure: Lamp should only be installed in operating environments ranging between -20° C and +50° C . • This Device is not intended for use with emergency exits or emergency lights. |

INSTALLATION INSTRUCTIONS

Before assembly, installation or operation turn power off prior to starting installation.

| | | |
|--|---|---|
|  <p>1</p> |  <p>2</p> |  <p>3</p> |
| <p>Loosen two outer screws.</p> | <p>Rotate lamp head counter clock wise.</p> | <p>Remove two inner screws and open access cover.</p> |
|  <p>4</p> |  <p>5</p> |  <p>6</p> |
| <p>Connect the Live, Ground and Neutral wires from the fixture to corresponding wires on the junction box. All wire connections should be secured with wirecaps.</p> | <p>Mount wall light to the junction box. Once in place use a screwdriver to secure mounting screws.</p> | <p>Close access cover, adjust lamp head to desired angle, tighten outer screws and turn power on.</p> |