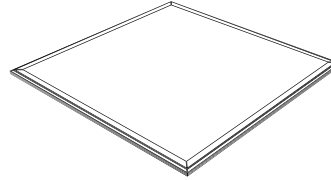




Questions?

For customer service please call us at 1-888-743-5766
Office Hours: 8:00 a.m. – 5:00 p.m. PST Monday-Friday



LED Panel
2 ft. x 2 ft.

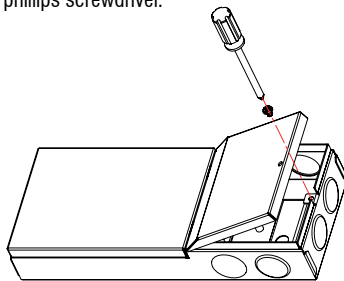
PLEASE REVIEW THE INSTRUCTIONS AND WARNINGS LISTED BELOW PRIOR TO PROPER INSTALLATION

WARNINGS	CAUTIONS
<ul style="list-style-type: none"> • Risk of fire / electrical shock . • LED Panel installation requires knowledge of luminaire electrical systems. • Risk of electric shock – disconnect power at source before installation. • Do not make or alter any open holes in an enclosure of wiring or electrical components during installation. • If lamp or luminaire exhibits abnormal operation (buzzing, flickering, minimal light, etc.), turn off power, remove lamp and contact us. For more information please visit www.eurilighting.com or call our toll-free number 1-888-743-5766. 	<ul style="list-style-type: none"> • Do not look directly at the operating LED Panel. • Do not touch this product with wet hands. • Do not disassemble, repair or alter lamp. • Designed for indoor applications only. • Suitable for damp locations. • The luminaires should be grounded. • This device is not intended for use with emergency exits or emergency lights. • Please make sure the driver supply wiring is of adequate length and rating. Avoid any tension. • Observe proper polarity when connecting power to driver. Unit must be grounded as per code. L = Input Line or Hot, W = Neutral • All connections should be according to NEC or any applicable local code. • Wear gloves and safety glasses every time when working with the luminaire for installing, servicing or performing maintenance.

INSTALLATION INSTRUCTIONS - Wiring the Driver

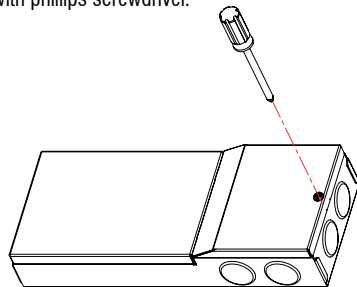
STEP 1:

Open the cover of junction box with phillips screwdriver.



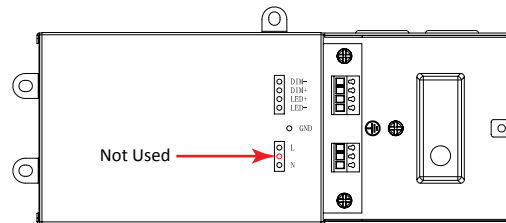
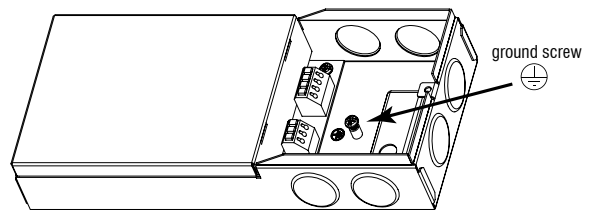
STEP 1:

Open the cover of junction box with phillips screwdriver.



STEP 2:

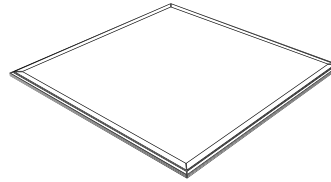
Remove round knock-out and connect conduit to wiring box with proper connectors: press the binding post with flat screwdriver, insert the wire and secure. For AC input, connect neutral wire(White) to AC-N, Live wire(Black) to AC-L and Ground wire(Green) to the ground screw - ⊕. For 0-10V dimmer wiring:connect the dimmer+ wire to the DIM+, connect the dimmer- wire to the DIM-.





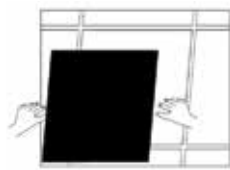
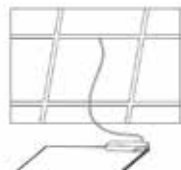
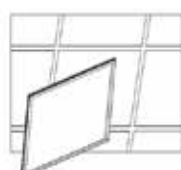
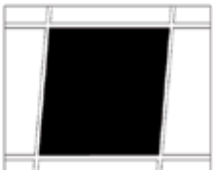
Questions?

For customer service please call us at 1-888-743-5766
Office Hours: 8:00 a.m. – 5:00 p.m. PST Monday-Friday



LED Panel
2 ft. x 2 ft.

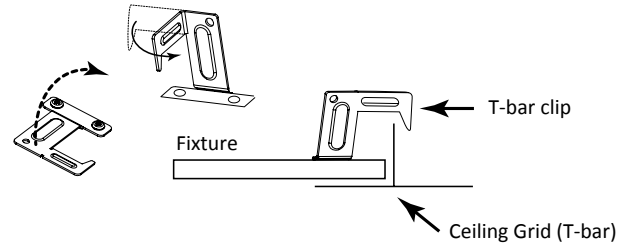
RECESSED INSTALLATION IN SUSPENDED GRID CEILING

<p>STEP 1: Move away ceiling tile.</p> 	<p>STEP 2: Connect power supply.</p> 	<p>STEP 3: Put the panel light into framework.</p> 	<p>STEP 4: Finish the installation.</p> 
---	---	--	--

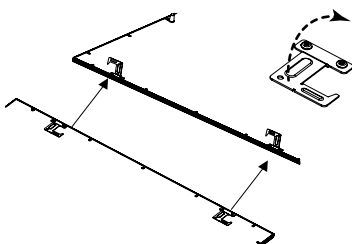
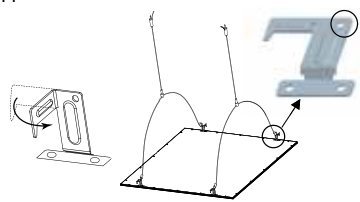
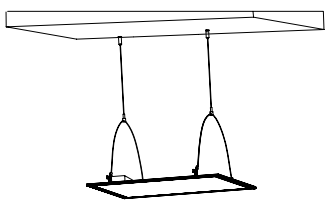
T-bar clips should be bent outwards to provide additional safety and support. Additional support means may be required by local or national codes.

Hole provided may be used to further secure fixture from above.

Notes:
Secure to grid per state and local codes.
Ceiling grid must adequately support weight of fixture.

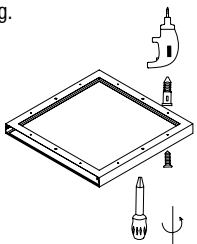
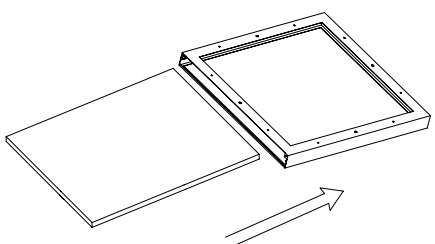
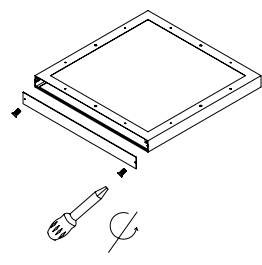


OPTIONAL PENDANT MOUNT INSTALLATION

<p>STEP 1: Bend the T-bar clips vertically on the back of the panel and attach the anchoring onto the ceiling.</p> 	<p>STEP 2: Feed cable with "S" hooks through the hole of each T-bar clip and the anchoring. Measure desired cable length and then feed cables through each wire gripper in the same direction.</p> 	<p>STEP 3: Level the panel by fine-tuning the length of the cable by pressing the strain reliefs and feeding the wires in or out as necessary. Cut excess cable after final adjustment.</p> 
---	---	--

*MOUNTING HARDWARE OPTIONAL

OPTIONAL SURFACE MOUNT INSTALLATION

<p>STEP 1: Arrange the pieces of the frame on a surface. Fix the 3 sides of the frame using screws and mount the setup on the ceiling.</p> 	<p>STEP 2: Without interfering power supply box with driver box, slide LED panel into fixed side frames.</p> 	<p>STEP 3: Attach the 4th frame. Secure with screws and tighten until snug.</p> 
---	--	--