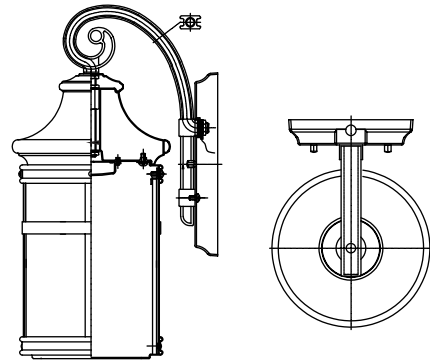




Questions?

For customer service please call us at 1-888-743-5766
Office Hours: 8:00 a.m. – 5:00 p.m. PST Monday-Friday

PLEASE REVIEW THE INSTRUCTIONS AND WARNINGS LISTED BELOW PRIOR TO PROPER INSTALLATION



WARNINGS

- Risk of fire / electrical shock
- LED Fixture installation requires knowledge of luminaire electrical systems.
- Risk of electric shock – disconnect power at source before installation
- Do not make or alter any open holes in an enclosure of wiring or electrical components during installation.
- If lamp or luminaire exhibits abnormal operation (buzzing, flickering, minimal light, etc.), turn off power, remove fixture and contact us. For more information please visit www.eurilighting.com or call our toll-free number 1-888-743-5766.

CAUTIONS

- Do not use with dimmers.
- Do not look directly at the operating LED Fixture.
- Do not touch this product with wet hands.
- Do not disassemble, repair or alter lamp.
- Designed for outdoor applications only.
- Suitable for wet locations.
- The luminaires shall be grounded.
- Be careful not to touch the lamp pins to the metal housing when installing.
- This Device is not intended for use with emergency exits or emergency lights.

INSTALLATION INSTRUCTIONS

1. Use screw(3) install the mounting plate(2) to junction box.
2. Use wiring cap(5) (6) (7) connect wire.
3. Install the fixture body (8) to mounting plate (4) and put on the rubber ring (9), tighten the nut (10)
4. Done

