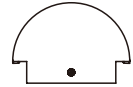
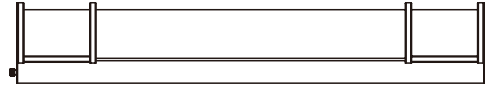





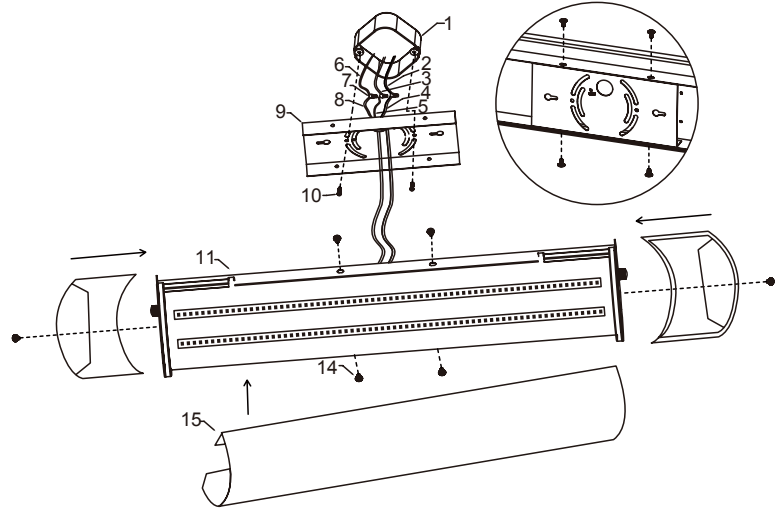
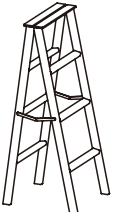

## Questions?

For customer service please call us at 1-888-743-5766  
Office Hours: 8:00 a.m. – 5:00 p.m. PST Monday-Friday



**PLEASE REVIEW THE INSTRUCTIONS AND WARNINGS LISTED BELOW PRIOR TO PROPER INSTALLATION**

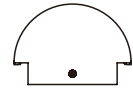
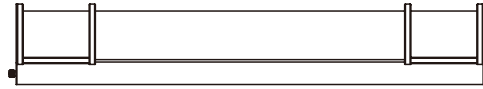
WARNINGS	CAUTIONS
<ul style="list-style-type: none"> <li>• Risk of fire / electrical shock</li> <li>• LED Fixture installation requires knowledge of luminaire electrical systems.</li> <li>• Risk of electric shock – disconnect power at source before installation</li> <li>• Do not make or alter any open holes in an enclosure of wiring or electrical components during installation.</li> <li>• If lamp or luminaire exhibits abnormal operation (buzzing, flickering, minimal light, etc.), turn off power, remove fixture and contact us. For more information please visit <a href="http://www.eurilighting.com">www.eurilighting.com</a> or call our toll-free number 1-888-743-5766.</li> <li>• Wear gloves to prevent cuts/abrasions from sharp edges when removing from carton, handling, and maintaining this fixture.</li> </ul>	<ul style="list-style-type: none"> <li>• Do not use with dimmers.</li> <li>• Do not look directly at the operating LED Fixture.</li> <li>• Do not touch this product with wet hands.</li> <li>• Do not disassemble, repair or alter lamp.</li> <li>• Designed for indoor applications only.</li> <li>• Suitable for damp locations.</li> <li>• The luminaires shall be grounded.</li> <li>• Be careful not to touch the lamp pins to the metal housing when installing.</li> <li>• This Device is not intended for use with emergency exits or emergency lights.</li> <li>• Installation by a licensed Electrician recommended.</li> </ul>

Tools Required	Parts List			
Phillips Screwdriver 	Remove the fixture and the mounting package from the box and make sure that no parts are missing by referencing the illustrations on the installation instructions. 			
Ladder 				
Safety Goggles 	1	Outlet box	9	Mounting Rack
	2	Black Supply Wire	10	8-32*15 Machine tapping screw
	3	White Supply Wire	11	Base Plate
	4	Black Fixture Wire	12	Metal End Caps
	5	White Fixture Wire	13	Thumb Screws
	6	House Ground Wire	14	Cap Nut
	7	P3 Rotatable Connector	15	Acrylic Cover
	8	Fixture Ground Wire		



**Questions?**

For customer service please call us at 1-888-743-5766  
Office Hours: 8:00 a.m. – 5:00 p.m. PST Monday-Friday



**PLEASE REVIEW THE INSTRUCTIONS AND WARNINGS LISTED BELOW PRIOR TO PROPER INSTALLATION**

WARNINGS	CAUTIONS
<ul style="list-style-type: none"> <li>• Risk of fire / electrical shock</li> <li>• LED Fixture installation requires knowledge of luminaire electrical systems.</li> <li>• Risk of electric shock – disconnect power at source before installation</li> <li>• Do not make or alter any open holes in an enclosure of wiring or electrical components during installation.</li> <li>• If lamp or luminaire exhibits abnormal operation (buzzing, flickering, minimal light, etc.), turn off power, remove fixture and contact us. For more information please visit <a href="http://www.eurilighting.com">www.eurilighting.com</a> or call our toll-free number 1-888-743-5766.</li> <li>• Wear gloves to prevent cuts/abrasions from sharp edges when removing from carton, handling, and maintaining this fixture.</li> </ul>	<ul style="list-style-type: none"> <li>• Do not use with dimmers.</li> <li>• Do not look directly at the operating LED Fixture.</li> <li>• Do not touch this product with wet hands.</li> <li>• Do not disassemble, repair or alter lamp.</li> <li>• Designed for indoor applications only.</li> <li>• Suitable for damp locations.</li> <li>• The luminaires shall be grounded.</li> <li>• Be careful not to touch the lamp pins to the metal housing when installing.</li> <li>• This Device is not intended for use with emergency exits or emergency lights.</li> <li>• Installation by a licensed Electrician recommended.</li> </ul>
Installation:	
<ol style="list-style-type: none"> <li>1. Separate the metal end caps (#12) and acrylic cover (#15) from the plate (#11) by loosening the screws (#13) on the end caps with hands.</li> <li>2. Pull the power supply wires out from the outlet box (#1), and thread the wires through the hole in the mounting bracket (#9).</li> <li>3. Install the mounting bracket (#9) on the outlet box (#1), by using machine tapping screws (#10).</li> <li>4. Make the wiring connections by using p3 rotatable connectors (#7): <ul style="list-style-type: none"> <li>Connect white fixture wire (#5) to white supply wire (#3)</li> <li>Connect black fixture wire (#4) to black supply wire (#2)</li> <li>Connect fixture ground wire (#8) to the house ground wire (#6) from the outlet box (#1).</li> </ul> <p style="text-align: center;"><b>*If house wiring includes no ground wire, consult an electrician.*</b></p> </li> <li>5. Mount the fixture base plate (#11) all the way through the screws on the mounting bracket (#9), and tighten the plate on the bracket by cap nut (#14)</li> <li>6. Mount one metal end cap (#12) on one side of the plate (#11), and tighten it by screws (#13) with hands. Slide the acrylic cover (#15) into the mounted metal end cap (#12), then install the other metal end cap on the other side of the plate (#11). Lock it by thumb screw (#13) on the plate (#11)</li> </ol>	