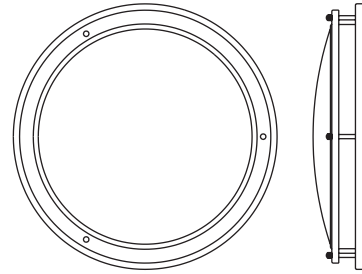




Questions?

For customer service please call us at 1-888-743-5766
Office Hours: 8:00 a.m. – 5:00 p.m. PST Monday-Friday



PLEASE REVIEW THE INSTRUCTIONS AND WARNINGS LISTED BELOW PRIOR TO PROPER INSTALLATION

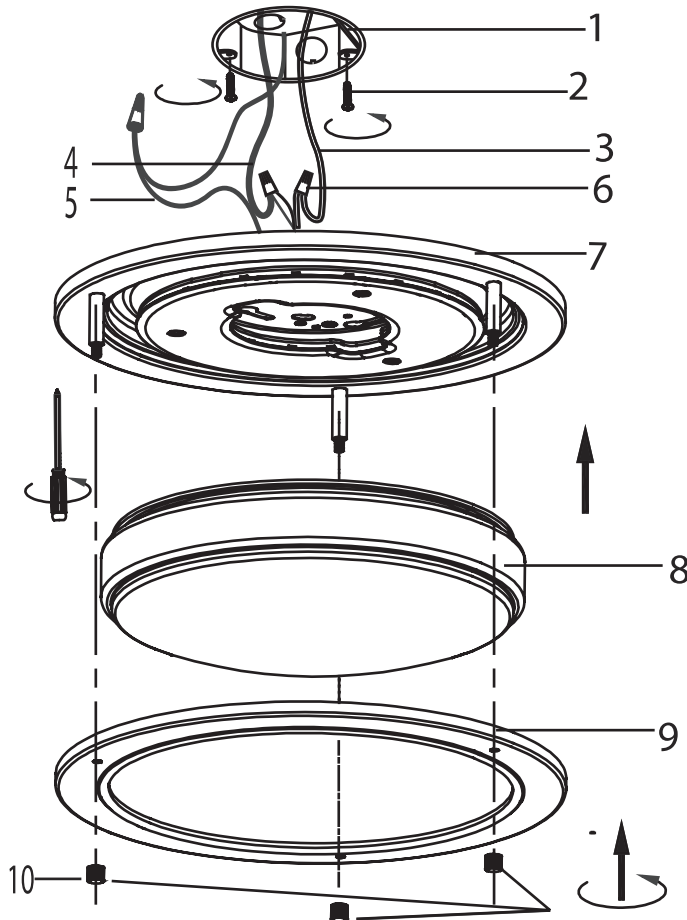
WARNINGS

- Risk of fire / electrical shock
- LED Fixture installation requires knowledge of luminaire electrical systems.
- Risk of electric shock – disconnect power at source before installation
- Do not make or alter any open holes in an enclosure of wiring or electrical components during installation.
- If lamp or luminaire exhibits abnormal operation (buzzing, flickering, minimal light, etc.), turn off power, remove fixture and contact us. For more information please visit www.eurilighting.com or call our toll-free number 1-888-743-5766.

CAUTIONS

- Do not look directly at the operating LED Fixture.
- Do not touch this product with wet hands.
- Do not disassemble, repair or alter lamp.
- Designed for indoor applications only.
- Suitable for damp locations.
- The luminaires shall be grounded.
- Be careful not to touch the lamp pins to the metal housing when installing.
- This Device is not intended for use with emergency exits or emergency lights.

INSTALLATION INSTRUCTIONS



1. Insert mounting screws(2) into junction box.
2. Using wire nuts(6) connect wire.
3. Position fixture housing(7) outlet box aligning slots or keyholes in fixture with screws in outlet box.
4. Secure fixture in place by screwing mounting screws(2).
5. Insert fixture body(7) screw bolt through fixture housing(9) holes and secure by hand tightening the nuts(10) to the end of the fixture body.
6. Done.